

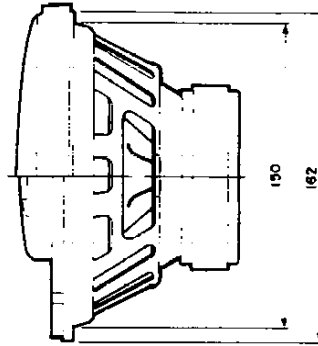
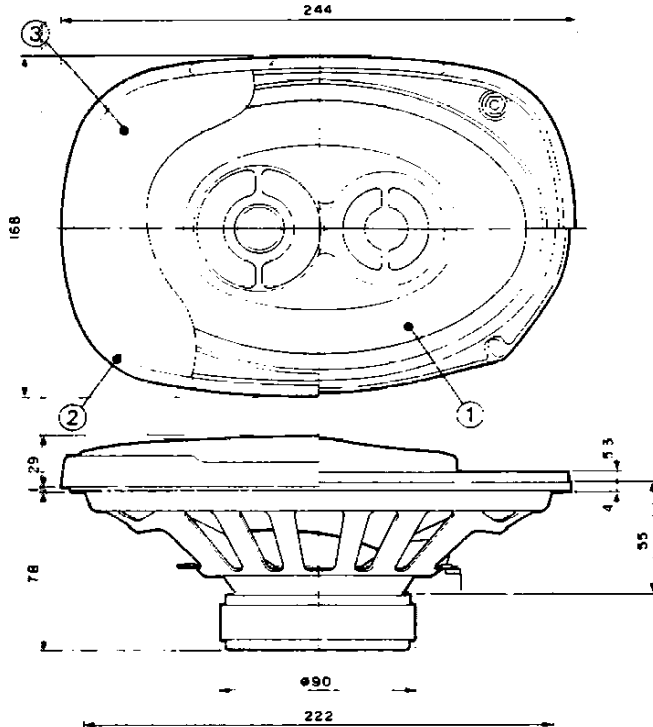
# KFC-6992

## SERVICE MANUAL

KENWOOD  
**Q.C.**  
**COPY**

©1989-10 PRINTED IN JAPAN  
 B51-6095-00(T) 1317

### EXTERNAL VIEW

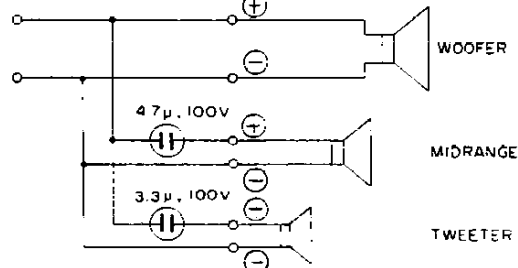


UNIT: mm

### PARTS INCLUDED

- (M4-70mm) ..... x8
- (φ4-40) ..... x8
- M4 ..... x8
- M4 ..... x8
- φ4 ..... x8
- M4 ..... x8
- 5m(16.4ft) ..... x2
- ..... x1

### SCHEMATIC DIAGRAM



### SPECIFICATIONS

- Woofer ..... 6 × 9 in poly cone type, 18 oz magnet
- Mid-Range ..... 2-3/4 in cone type, 2.6 oz magnet
- Tweeter ..... 2 in cone type, 1.3 oz magnet
- Peak power ..... 200 W
- Sensitivity ..... 92 dB/w at 1 m
- Impedance ..... 4 ohms
- Weight per speaker with grille ..... 2.4 kg (5.3 lb)/pc.

(KENWOOD follows a policy of continuous advancements in development. For this reason specifications may be changed without notice.)

### PARTS LIST

★ New parts  
 Parts without **Parts No.** are not supplied.  
 Les articles non mentionnés dans le **Parts No.** ne sont pas fournis.  
 Teile ohne **Parts No.** werden nicht geliefert.

Ref No.	New Parts	Parts No.	Description
②	★	B06-0376-08	FRONT GRILLE
		E30-1457-08	SPEAKER CORD
③	★	F09-0937-08	PROTECTOR
		N99-0218-08	SCREW SET
①	★	T15-0144-08	SPEAKER